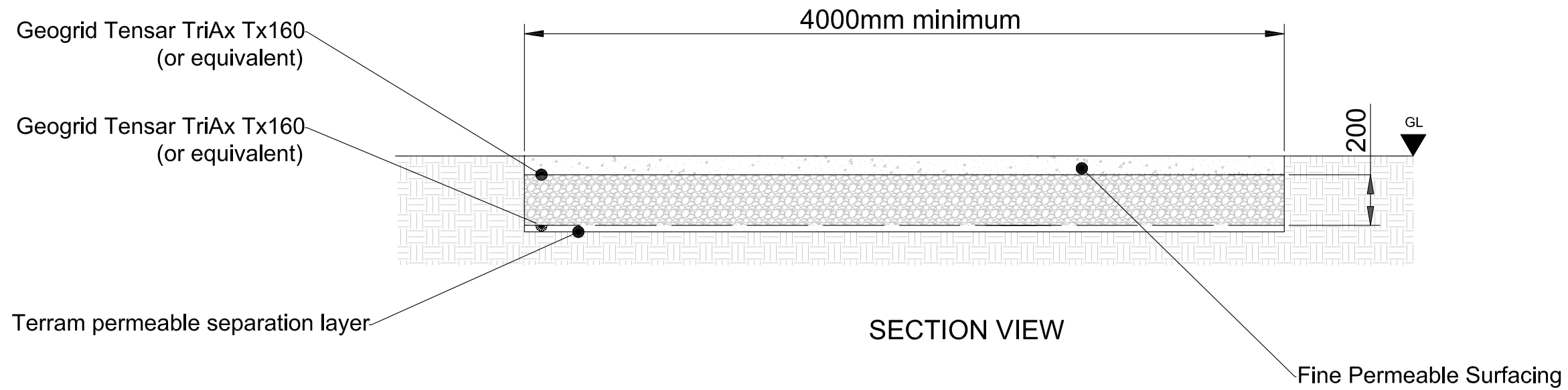


Revisions:

Revision	Date	Revision Notes	Drawn	Inspected
01	25.02.21	First Issue	HN	IL
02	15.03.21	Revised	HN	IL
03	18.03.21	Revised	HN	IL

NOTES:



Status: **FOR PLANNING**

Project:

**Bubney Solar Farm**



3rd Floor, 141 - 145 Curtain Road, London, EC2A 3BX  
 Tel: +44 (0)20 7740 2400  
 enquiries@renewableconnections.co.uk  
 www.renewableconnections.co.uk

Drawing Title: **Access Track Cross Section**

Drawn: HN Checked: TG First Issued: 25.02.2021

Project Code: RNC002- SD-06 Drawing Number:

Sheet Size: A1 Scale: 1:20 Revision: 03

