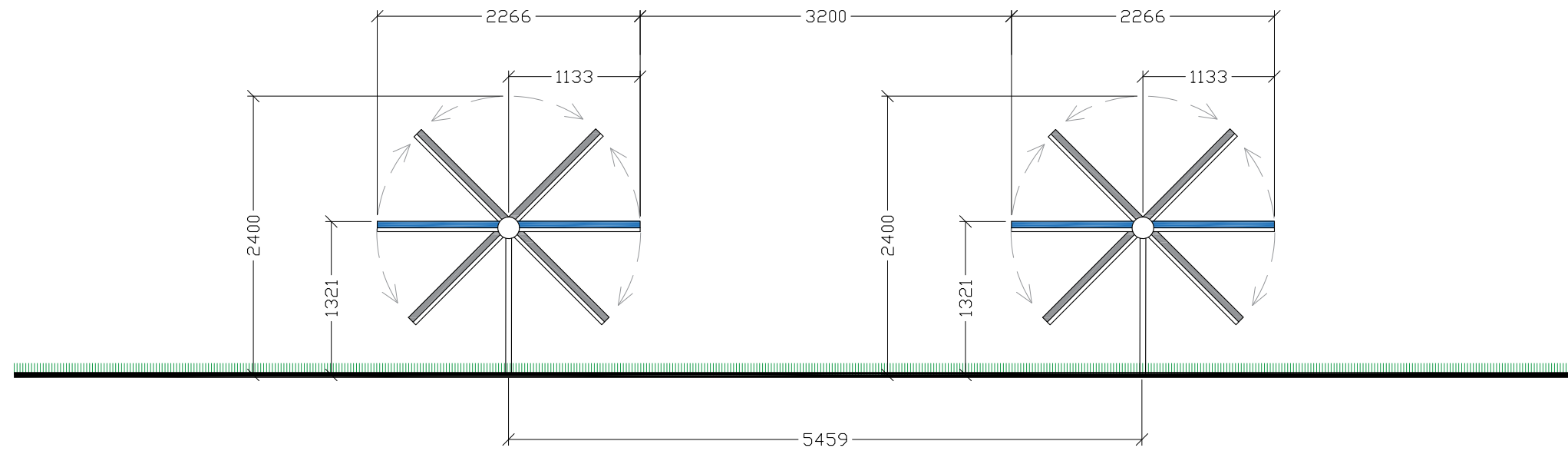


This drawing is the copyright of Renewable Connections and must not be reproduced in whole or in part or used in any manner without their written permission.  
 Scaled dimensions must not be taken from this drawing. All dimensions are to be confirmed on site prior to commencement of work.

Revisions:

Revision	Date	Revision Notes	Drawn	Inspected
01	25.02.21	First Issue	HN	IL

NOTES:



Status:

**FOR PLANNING**

Project:

**Bubney Solar Farm**



3rd Floor, 141 - 145 Curial Road, London, EC2A 3BX  
 Tel: +44 (0)20 7748 2400  
 enquiries@renewableconnections.co.uk  
 www.renewableconnections.co.uk

Drawing Title:

**Panel Cross Section Detail**

Drawn: HN Checked: TG First Issued: 25.02.2021

Project Code: RNC002- SD-01 Drawing Number:

Sheet Size: A1 Scale: 1:50 Revision: 01

